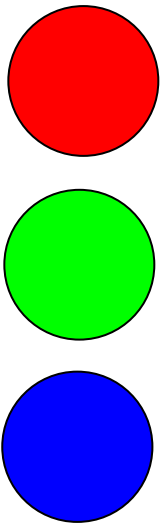


Module 36 RGB



Module 36 with adjustable bracket

This powerful LED Projector is suitable for large interior and exterior installations, including shopping centres, large halls, TV studios and more.

The Module 36 is supplied as standard in an IP67 version, with bracket and as RGB for endless colour changing, to satisfy all application needs. An IP8 model for underwater applications is also obtainable.

Single colour versions available:

- Red
- Green
- Blue
- Amber
- Cool white
- Warm white

Optics available:

- 6°
- 25°
- oval (25°x8°)



- 14.4 Watts Green
- 14.4 Watts Blue
- 12.0 Watts Red

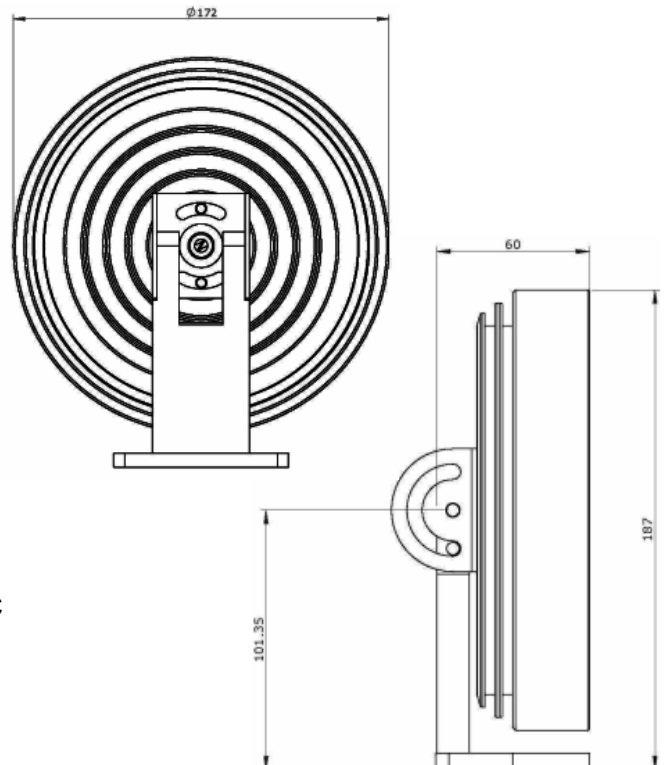
Maximum input current: 350 mA per LED



- Max operating temperature : +70°C
- Operating ambient temperature : -20° to +55°C
- Lamp life @ 50°C : 50,000 hours



1.55Kg



Part number
 TRY-36-RGB-06-IP
 TRY-36-RGB-25-IP
 TRY-36-RGB-OV-IP

Description
 Module 36 IP67 including bracket - RGB 6°
 Module 36 IP67 including bracket - RGB 25°
 Module 36 IP67 including bracket - RGB Oval (for wall-wash effect)



Tryka L.E.D. Ltd is a Certified Member of the Luxeon Lighting Network™ CERTIFIED



© Tryka L.E.D Ltd 2006 – Unit 3 Station Works – Shepreth – Nr Royston – Herts SG8 6PZ – UK
 ☎ +44 (0)1763 260666 📠 +44 (0)1763 260700 🌐 www.tryka.com

As part of our continuous product development we reserve the right to amend these specifications without prior notice.