

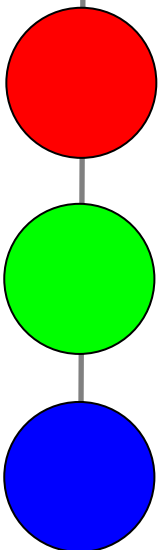
### Product Overview

The Tryka Strip Module Optic colour change fixture is a totally new concept in producing linear colour changing illumination. The system is totally flexible and can be used for a host of traditional applications and a range of never before possible applications.

The system is available as a wide angle beam or as a powerful linear wall washing system with highly efficient optical components. The Tryka Strip Module system can be configured for interior or even IP67 exterior applications.

### Features

- Long Life – 50,000 hours
- Deep saturated colours
- Low energy consumption – 30 watts/m
- Fully DMX controlled
- Low profile design
- Range of beam angles
- Robust construction
- IP67 options
- Simple plug & play installation
- Standard modular lengths
- Adjustable mounting brackets available
- Low voltage operation
- Optimised thermal management



## Specifications

### Optical

	Colour	Dominant wavelength	Lumen Output (lumens)
	Red	627nm	528
	Green	530nm	360
	Blue	455nm	1800mW

Beam Angle	Suggested use
6 Degree	Narrow beam
15 & 25 Degree	Cornice lighting
Oval	Wall wash

- Optical data shown for 1200mm Module (can be applied pro-rata for 400 and 600 Modules)
- Typical Lumen maintenance 70% at 50,000 hours @ 25°C ambient temperature
- For more information on L.E.D. performance request L.E.D. technical datasheet
- Full photometric performance data for optic range is available from Tryka

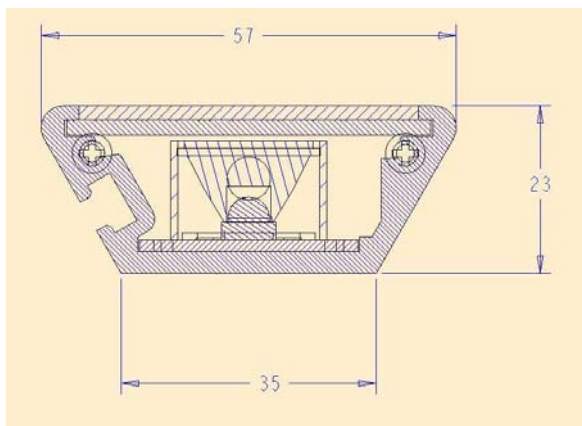
### Mechanical

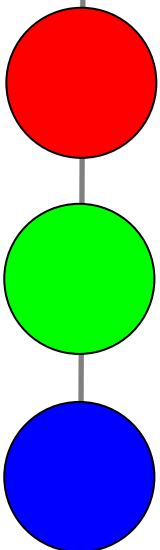
Standard lengths	:1200mm, 600mm, 400mm
Finish	Body :Silver Anodised Aluminium
	Front (interior) :Acrylic
	(IP67) :Resin Lens System

### Environmental

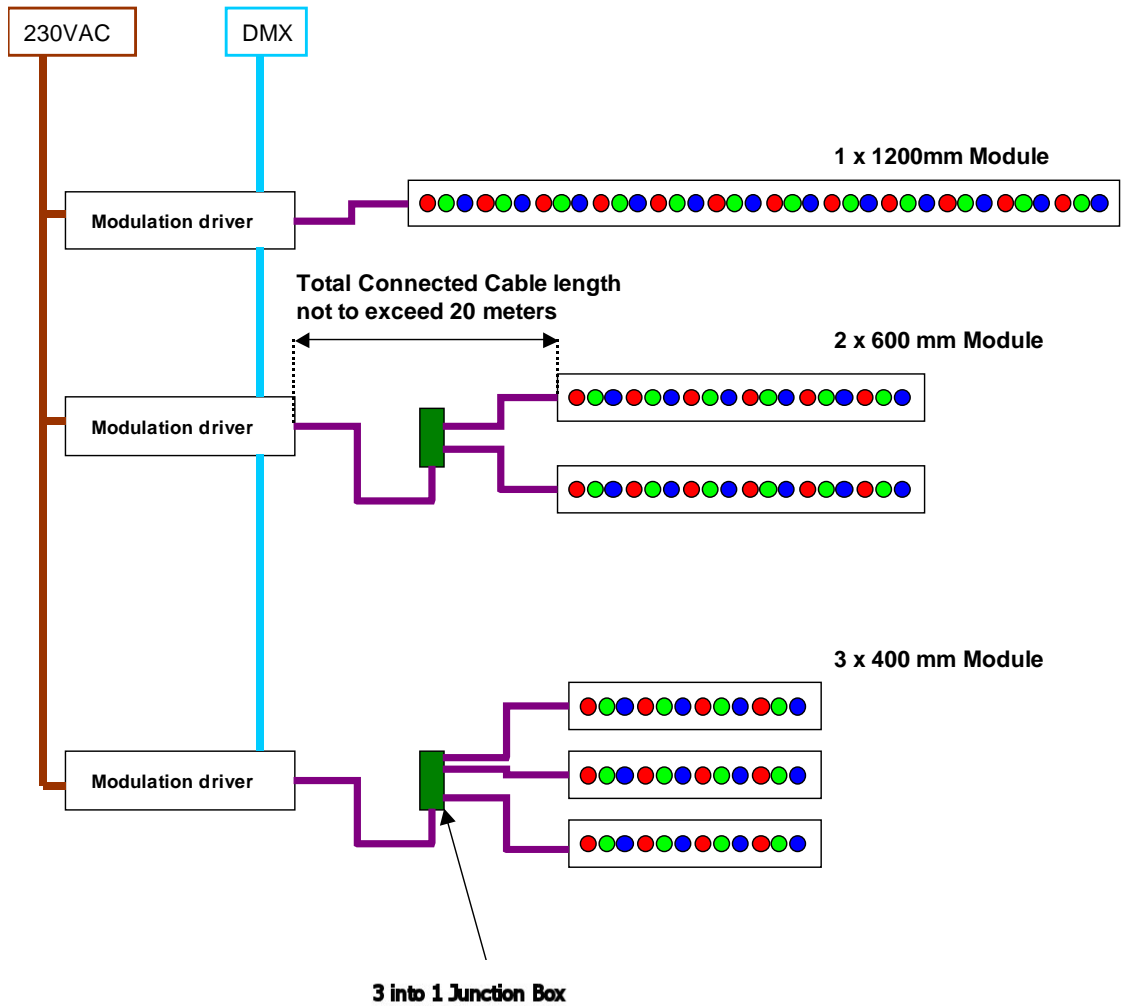
Ingress Protection	: IP67 (interior IP42)
Ambient temperature	: - 20 to +40°C
Maximum body temperature	: +75°C
Mean time to failure	:50,000 hours @ 25°C ambient

### Dimensions





### Typical Installation details



### Installation notes:

Modules are supplied with 3.0 meters of cable for direct connection to the Modulation Driver or use with the Tryka modular wiring system. In certain exterior installations direct hard wired connections may be required - contact Tryka for more information.



# Strip Module Optic RGB – 36, 18 & 12

## Electrical

Power consumption max	: Red	: 12.0 Watts
When channel @ 100%	: Green	: 14.4 Watts
	: Royal Blue	: 14.4 Watts
Input Current at full power	: 350mA	
Maximum Forward Voltage	: 48 VDC	
Compatible drivers	: Modulation Driver	
Connection	: 3.0m cable with Molex Micro fit 3 connector	

Unit is equipped with thermal sensor which will protect the LEDs from high ambient operating temperature. See Modulation Driver data for full details of mains power requirements and DMX operation.

Products represented here are IEC825 Class 2 for eye safety. Do not stare into the L.E.D. light beam at close range.

Fixtures should only be connected to Tryka approved drivers.

## Selection Guide

Part No.

**TEOR-RGB1200-OV**

Tryka Strip Module Optic , IP67, 1200mm length Oval Wall Wash optics

**Beam Angle**

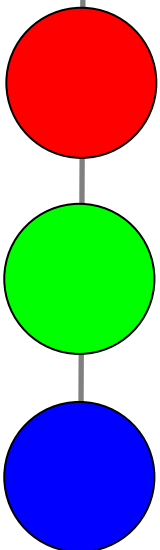
- 06** – 6 degree
- 15** – 15 degree
- 25** – 25 degree
- OV** – 25 x 8 degree (wall wash)

**Module length**

- 400** – 400mm
- 600** – 600mm
- 1200** – 1200mm

**TEO** – Interior system  
**TEOR** – IP67 System

Linear Series



## Accessories

TL-FB2(pair)

Low Profile Linear Extrusion Fixing Brackets (pair)

Tryka L.E.D. Ltd is a Certified Member of the Luxeon Lighting Network™

