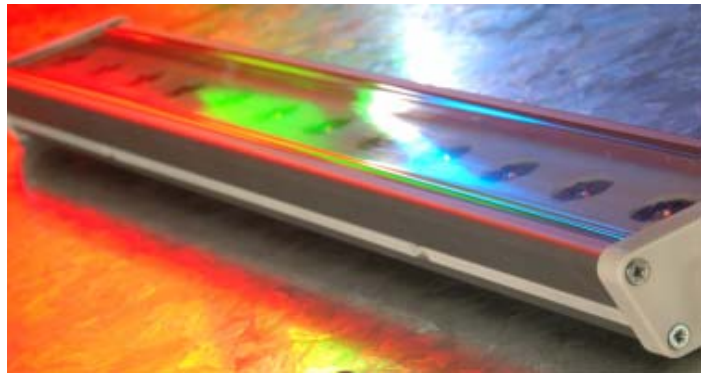
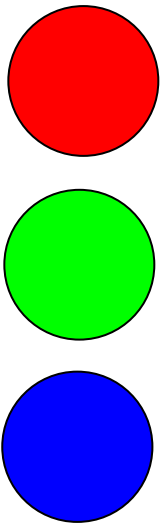


New Strip Module System



(Side view showing embedded nuts for easy attachment of hanging brackets)

The New RGB Strip Module System is a great innovation in linear lighting. Featuring the powerful K2 Luxeon LEDs, this family of Strips is an ideal solution for cove and wall lighting, windows illumination and more.

Still using the same wattage as the previous units, the use of the next generation LEDs enables the Strips to generate approximately 20% more output at 350mA and over double the light output at 700mA!

Furthermore the unique extruded clip system means that all components tightly clip together to seal the finished product to a guaranteed IP rating. The new Strip Module System is in fact supplied as standard in an IP65 version and in a variety of lengths – making it suitable for all interior and exterior installations – as well as with a 5m RJ45 cable for ease of installation.

Single colour versions available:

- Red
- Green
- Blue
- Amber
- o Cool white
- o Warm white

Standard lengths:

- 1200mm. Actual product length including end caps: 1206mm
- 600mm. Actual product length including end caps: 606mm
- 400mm. Actual product length including end caps: 406mm

(all units are supplied with a 5m RJ45 cable and connector as standard, for simple and quick connection to the IDS Drivers)



14.4 Watts Green
14.4 Watts Blue
12.0 Watts Red

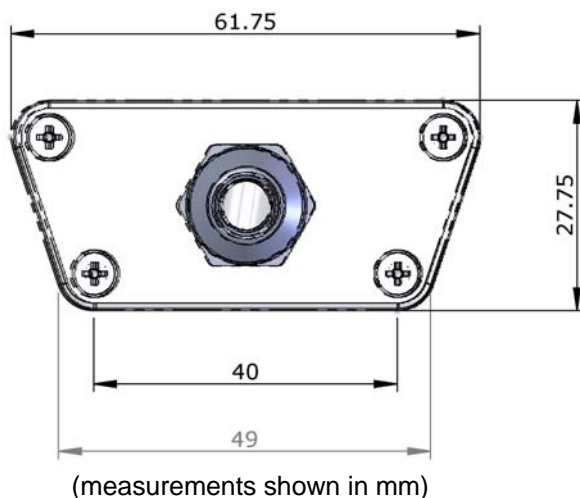
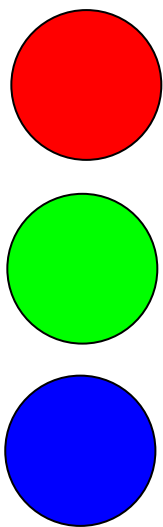
(Values shown for 1200mm Strip at 350mA). Maximum input current: 700mA per LED.



© Tryka L.E.D Ltd 2007 – Unit 3 Station Works – Shepreth – Nr Royston – Herts SG8 6PZ – UK
☎ +44 (0)1763 260666 📠 +44 (0)1763 260700 🌐 www.tryka.com

As part of our continuous product development we reserve the right to amend these specifications without prior notice.

New Strip Module System



Strip length including end caps:

- 1200mm Module: 1206mm
- 600mm Module: 606mm
- 400mm Module: 406mm



Max operating temperature : +70°C
 Operating ambient temperature : -40° to +55°C
 Lamp life @ 50°C : 50,000 hours



1200mm Strip Module : 2Kg
 600mm Strip Module : 1.15Kg
 400mm Strip Module : 0.8Kg

Part number

TRY-1200-RGB-IP
 TRY-600-RGB-IP
 TRY-400-RGB-IP

Description

Strip Module 36 – 1200mm
 Strip Module 18 – 600mm
 Strip Module 12 – 400mm

Accessories:

TL-FB2	Pair of linear extrusion fixing brackets
TRY-RJ45-JBOX	RJ45 Junction Box (to connect multiple fixtures to single IDS output)
RJ45-MLX-M	RJ45 to Molex adaptor male (to connect Strips to Modulation Driver)
TRY-RJ45-LINK	RJ45 Cable Linking Block
TRY-RJ45-LINK-IP	IP67 RJ45 Cable Linking Block
TRY-RJ45-3M	3m RJ45 DMX Linking Cable
TRY-RJ45-10M	10m RJ45 DMX Linking Cable

Tryka L.E.D. Ltd is a Certified Member of the Luxeon Lighting Network™

