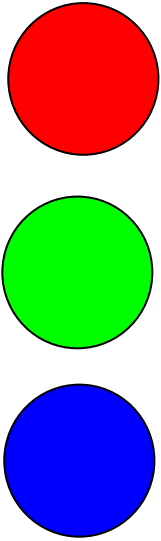


Module 3 Integra



NEW!

The multifunctional Module 3 Integra is a single colour MR16 fixture with integral driver featuring three 1 watt Luxeon LEDs and a high efficiency 30° optic. It is available either as a GU5.3 12V lamp replacement fitting or in a variety of in-ground housings to suit different application needs.

All in-ground units are IP67 for exterior use and are categorised as follows: Pro unit (adjustable high quality fitting), Maxi unit (non-adjustable high quality fitting) and Mini unit (budget priced fixed unit).

The Module 3 Integra is run on a 12V Power Supply or on mains voltage using a 12V Transformer and it is non dimmable (please note the transformer is not included with the unit and would need to be purchased separately).

The compact interior version is designed to fit into several types of MR16 housing and – as well as the in-ground versions supplied – can therefore also be made into a downlighter, uplighter and more.

Colours available:

- Red
- Green
- Blue
- Amber
- Cool white
- Warm white

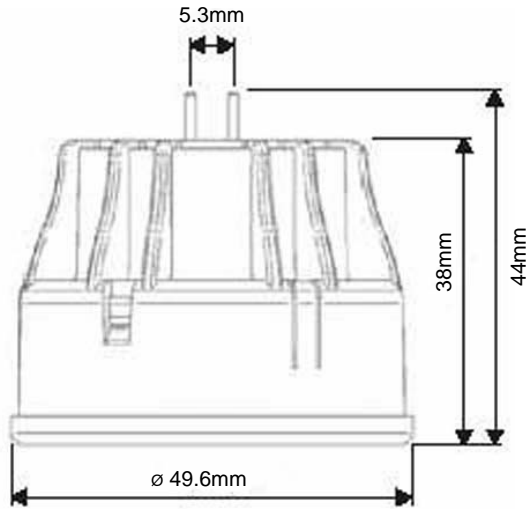
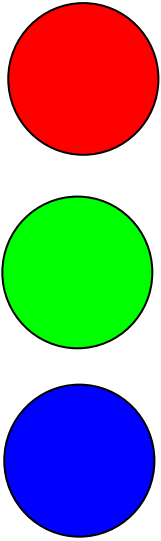
LDY30/GU5,3		Red	Yellow	Blue	Green	White	W/White
Nominal current	mA	325	325	350	350	350	350
Max power	W	3.9	3.9	4.5	4.5	4.5	4.5
Input voltage AC/DC	V	11-13	11-13	11-13	11-13	11-13	11-13
Average luminous flux	lumen	81	75	48	159	120	50
Lighting angle	°	30	30	30	30	30	30
Approximative wavelength	nm	625	590	455	530	5500K	3200K



© Tryka L.E.D Ltd 2007 – Unit 3 Station Works – Shepreth – Nr Royston – Herts SG8 6PZ – UK
 ☎ +44 (0)1763 260666 📠 +44 (0)1763 260700 🌐 www.tryka.com

As part of our continuous product development we reserve the right to amend these specifications without prior notice.

Module 3 Integra



Max operating temperature : +70°C
 Operating ambient temperature : -20° to +55°C
 Lamp life @ 50°C : 50,000 hours



38g

Part number

TRY-INT3-Y
 TRY-INT3-Y-PRO
 TRY-INT3-Y-MAX
 TRY-INT3-Y-MIN
 Y = colour
 TRY-YT50
 TRY-YT70
 TRY-YT105

Description

Module 3 Integra
 Module 3 Integra in-ground – Pro Unit
 Module 3 Integra in-ground – Maxi Unit
 Module 3 Integra in-ground – Mini Unit
 please see chart below
 12V Transformer to run 1 to 6 Module 3 Integra Spot
 12V Transformer to run 1 to 8 Module 3 Integra Spot
 12V Transformer to run 1 to 14 Module 3 Integra Spot

PLEASE NOTE: To ensure the Modules do not flash or strobe Tryka recommends using the transformers above. Using other transformers may not guarantee correct functioning of the units.

	Y =	Colour
	WW	Warm White
	W	White
	B	Blue
	G	Green
	R	Red
	A	Amber



Tryka L.E.D. Ltd is a Certified Member of the Luxeon Lighting Network™ CERTIFIED