

Module 3 RGB



The multifunctional interior MR16 fixture marks the launch of Tryka's new Easy-Link™ System, which denotes the simple and straightforward way in which units connect to each other for extreme quick and trouble-free installation. RJ45 connectors are plugged in and out of each unit, with the chain completed by an RJ45 end terminator fitted to the last Module in the sequence.

The new version of this popular Module features improved colour mixing and now has a tapered shape to fit into even more interior, exterior and underwater housings. The standard RGB unit offers endless colour changing with up to 16 million colours when used in conjunction with Tryka IDS Drivers, which incorporate microstep control.

Single colour versions available:

- Red
- Green
- Blue
- Amber
- Cool white
- Warm white

Optics available:

- 25° supplied as standard, with easy clip-on and off facility for interchanging lenses
- oval (25°x8°) for wall-wash effect (to be ordered as a separate accessory)
- 6° for a narrow beam (to be ordered as a separate accessory)



1.2 Watts Green
1.2 Watts Blue
1.0 Watts Red

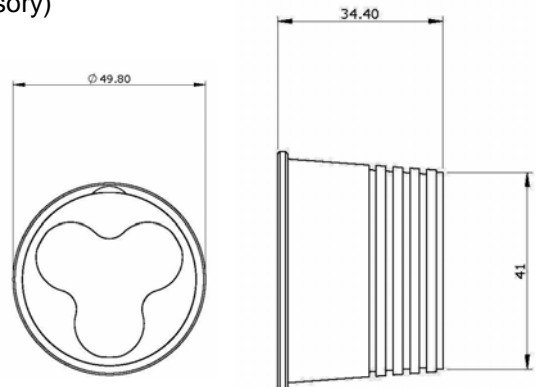


75g

Maximum input current: 350 mA per LED



Max operating temperature : +70°C
Operating ambient temperature : -20° to +55°C
Lamp life @ 50°C : 50,000 hours



Part number	Description
TRY-03-RGB-25	Module 3 Easy-Link™ MR16 RGB 25°
TRY-LENS-03-OV	Oval wall-wash replacement optics
TRY-LENS-03-06	6° replacement optics

(for accessories please see page 4)



Tryka L.E.D. Ltd is a Certified Member of the Luxeon Lighting Network™ CERTIFIED

© Tryka L.E.D Ltd 2006 – Unit 3 Station Works – Shepreth – Nr Royston – Herts SG8 6PZ – UK
☎ +44 (0)1763 260666 📠 +44 (0)1763 260700 🌐 www.tryka.com

As part of our continuous product development we reserve the right to amend these specifications without prior notice.