



Product Overview

The Module 1 is an ultra compact in-ground L.E.D. light source suitable for a variety of uses including pedestrian and landscape installations or where a hard wearing fixture is needed, such as step lighting.

The stylish stainless steel housing and IP67 rating make it ideal for a variety of outdoor applications.

Its compact size and high-brightness mean the unit can be easily used as an addition to existing lighting projects, to enhance a specific feature or as part of a new design, all to great effect.

Features

- Very long operating life in excess of 50,000 hours
- IP67 rating for outdoor applications
- Suitable for walk over installations
- Fully flush mounting
- Range of L.E.D. colours available
- Ultra compact design
- Low energy consumption
- Cool beam safe to touch
- No ultra-violet radiation
- Easy to install with modular wiring system
- Optimised thermal management



Module 1 IP67 In-ground

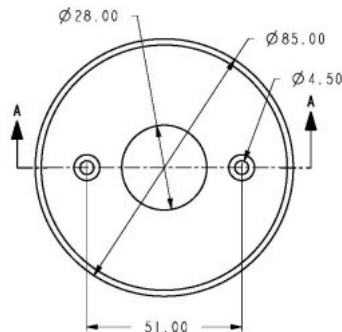
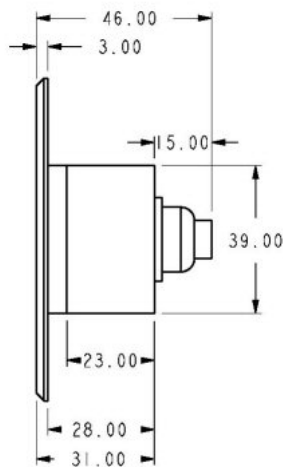
Selection Guide

Part No.

TH-M1-Y

	Y =	Colour	Colour temp. or dominant wavelength	Luminous Flux typical (Lm)
	WW	Warm White	3300K	20
	W	White	5500K	25
	B	Blue	455nm	150mW
	G	Green	530nm	30
	R	Red	627nm	44
	A	Amber	590nm	36

Exterior Series



Suitable Drivers

TM-DE3 Micro Driver 3 to run up to 3 Module 1s

TM-DE9 Micro Driver 9 to run up to 9 Module 1s – requires potentiometer for dimming

TC-CD36 Modulation Driver to run up to 36 Module 1s in DMX mode



Tryka L.E.D. Ltd is a Certified Member of the Luxeon Lighting Network™ CERTIFIED

© Tryka L.E.D Ltd 2003 – Unit 3 Station Works – Shepreth – Nr Royston – Herts SG8 6PZ – UK
 ☎ +44 (0)1763 260666 📠 +44 (0)1763 260700 🌐 www.tryka.com

As part of our continuous product development we reserve the right to amend these specifications without prior notice.