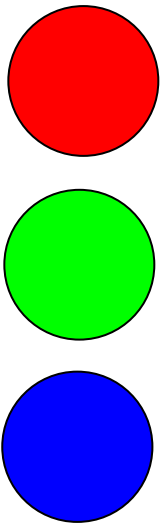


# Module 12 IP67



The Module 12 is sealed to an IP67 rating with an IP gland fitted to the back of the unit.

The Module 12 IP67 is an AR111 LED luminaire suitable for all exterior applications. The fixture is supplied as standard in an RGB version for endless colour mixing and with support bracket for easy installation. However the unit can be installed without brackets as a replacement for Par 36 or AR111 fixtures. It can also be ceiling recessed using a ROW QRB housing or made into an in-ground unit (see Module 12 IP68 in-ground).

Single colour versions are also available, as listed below. The unit is sealed with an IP gland fitted to the back of the Module, to which a CAT5 3m flying lead is connected.

Single colour versions available:

- Red
- Green
- Blue
- Amber
- Cool white
- Warm white

Optics available:

- 6°
- 25°
- oval (25°x8°)



- 4.8 Watts Green
- 4.8 Watts Blue
- 4.0 Watts Red

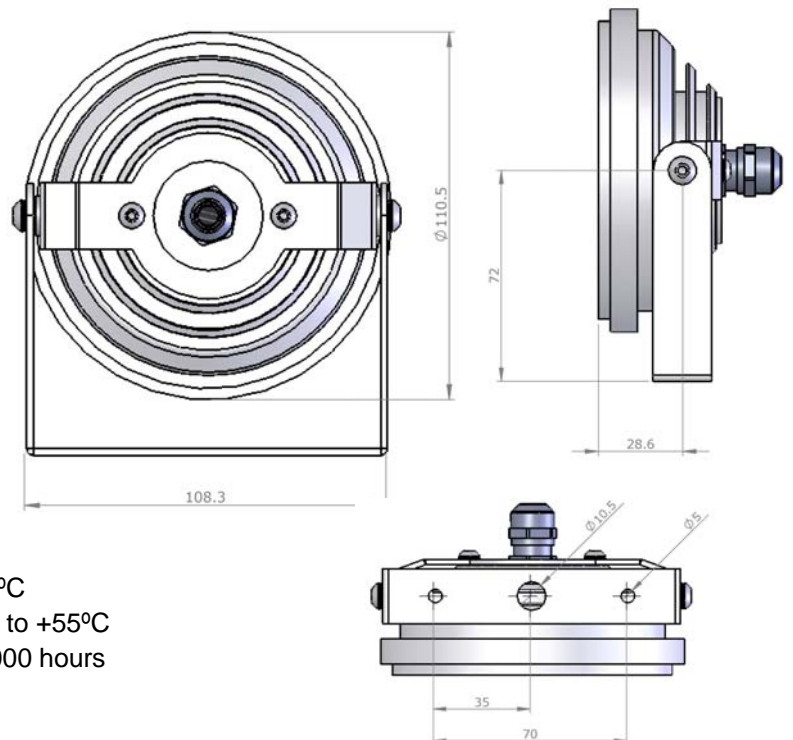
Maximum input current: 350mA per LED



- Max operating temperature : +70°C
- Operating ambient temperature : -20° to +55°C
- Lamp life @ 50°C : 50,000 hours



630g



## Part number

TRY-12-RGB-6-IP  
 TRY-12-RGB-25-IP  
 TRY-36-RGB-OV-IP

## Description

Module 12 IP67 including bracket - RGB 6°  
 Module 12 IP67 including bracket - RGB 25°  
 Module 12 IP67 including bracket - RGB Oval (for wall-wash effect)



Tryka L.E.D. Ltd is a Certified Member of the Luxeon Lighting Network™ CERTIFIED



© Tryka L.E.D Ltd 2006 – Unit 3 Station Works – Shepreth – Nr Royston – Herts SG8 6PZ – UK  
 ☎ +44 (0)1763 260666 📠 +44 (0)1763 260700 🌐 www.tryka.com

As part of our continuous product development we reserve the right to amend these specifications without prior notice.