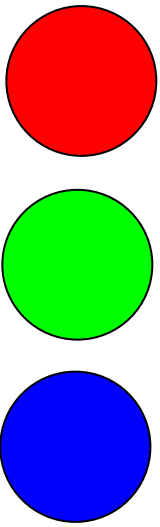


# Module 12 RGB



The enhanced AR111-size Module 12 features the new Tryka Easy-Link™ System, which refers to how RJ45 connectors are plugged in and out of each unit, with the chain completed by an RJ45 end terminator fitted to the last Module in the sequence. This serves to dramatically speed up and simplify the installation process.

The Module 12 RGB offers endless colour mixing and is also available with optional mounting bracket, to satisfy all application needs.

Single colour versions available:

- Red
- Green
- Blue
- Amber
- o Cool white
- o Warm white

Optics available:

- 25°
- oval (25°x8°)
- 6° (IP67 version only)



- 4.8 Watts Green
- 4.8 Watts Blue
- 4.0 Watts Red

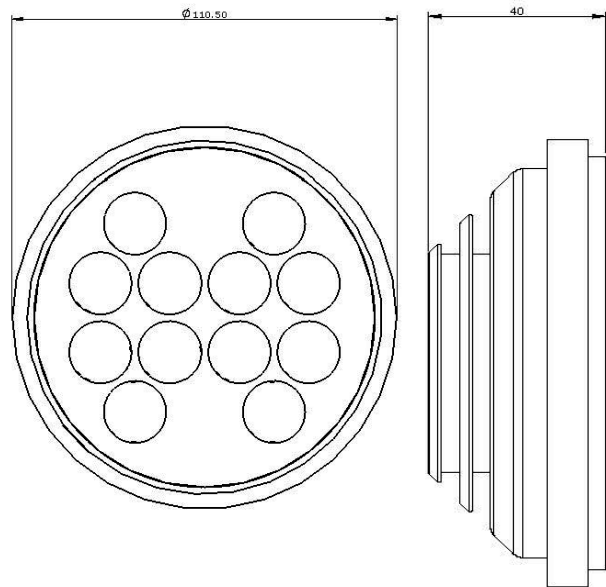
Maximum input current: 350 mA per LED



- Max operating temperature : +70°C
- Operating ambient temperature : -20° to +55°C
- Lamp life @ 50°C : 50,000 hours



420g



## Part number

TRY-12-RGB-25  
TRY-12-RGB-OV

## Description

Module 12 Easy-Link™ RGB 25°  
Module 12 Easy-Link™ RGB Oval (for wall-wash effect)



Tryka L.E.D. Ltd is a Certified Member of the Luxeon Lighting Network™ CERTIFIED



© Tryka L.E.D Ltd 2006 – Unit 3 Station Works – Shepreth – Nr Royston – Herts SG8 6PZ – UK  
☎ +44 (0)1763 260666 📠 +44 (0)1763 260700 🌐 www.tryka.com

As part of our continuous product development we reserve the right to amend these specifications without prior notice.