



The LinkLED IP67 systems are an option for all exterior applications, especially those installations with limited space. It is available as either a 6 or 12 module system with a recommended spacing between each module of 150mm.

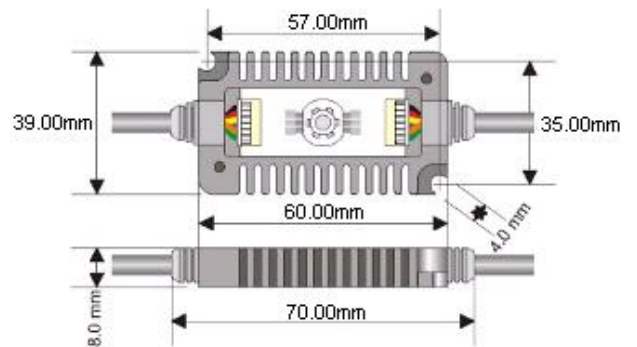
Its die-cast aluminium heatsink with integrated mounting points and ready fitted IP cabling guarantee an extremely quick and easy installation. Due to its robust construction the system is resistant to vibration and lights up instantly even at temperatures as low as -20°, making it the ideal choice for even the toughest of environments.

Colours Available


- ~ RGB ~ Red ~ Blue o Cool White
 - ~ VariWhite ~ Green ~ Amber o Warm White
- MOQ may apply for single colour systems.


Optics Available

- Non-Optic (120°)

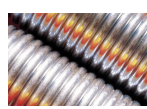


LED colour	Maximum Current (mA)	Maximum Output Power (W)		Typical Luminous Flux	
		6 Modules	12 Modules	6 Modules	12 Modules
Red	350mA	6.3W	12.6W	192 lm	384 lm
Green	350mA	8.4W	16.8W	228 lm	456 lm
Blue	350mA	8.4W	16.8W	41 lm	82 lm

-  Maximum Input Current : 350mA
- Max ambient temperature : +60°C
- Operating ambient temperature : -20° to +60°C
- Lamp life @ 75°C PCB temperature : 50,000 hours

-  1.0 Watts Red
- 1.2 Watts Green
- 1.2 Watts Blue



-  Heatsink finish : anodised aluminium
- Front face : clear resin filled
- Fixing method : screws or adhesive

Part number	Description
TR-LKIP-RGB-6	LinkLED RGB IP67 . 6 Module system
TR-LKIP-RGB-12	LinkLED RGB IP67 . 12 Module system